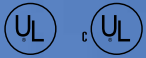


C-234x Split Core Analog Series

Selectable ranges 0-30, 60, 120A
Command Relay Option

ANALOG

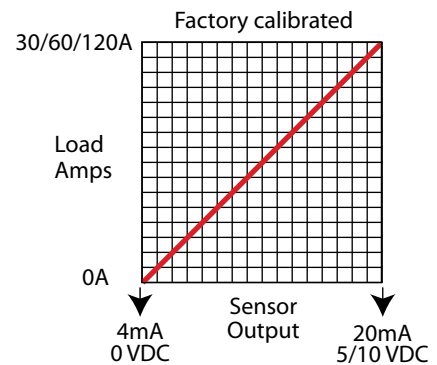


Versatile and easy to install

Compact package, plus add a command relay for start/stop/status in one unit!

- Switch selectable ranges for easy scaling (30, 60, 120 amp full scale ranges)
- 0-5VDC, 0-10VDC, 4-20mA loop powered versions
- Split-core is ideal for retrofit and new construction applications
- Removable mounting base for easy mounting
- DIN rail mount without additional components
- Command relay option for start /stop!
- Installation savings--get two devices installed for the price of one
- Removable relay facilitates service and lowers replacement cost
- Relay is long-life. Rated for 100,000 operations at full load
- Eliminates unsightly external control relays and associated wiring
- Cost-Effective
- Reduced labor cost compared to differential pressure switches
- Maintenance-free--no call-backs
- Reliable
- 100% solid state, no moving parts to fail
- Replace pressure switches and other electromechanical devices
- Industry leading 7 year warranty

Ideal for load trending & control



| | | |
|---------------|---------|--------|
| Sensor Output | 0-5VDC | C-2343 |
| | 0-10VDC | C-2344 |
| | 4-20mA | C-2345 |

The C-234x series provides an output signal directly proportional to measured amperages, up to 120A. Three different output versions are available: 0-5VDC, 0-10VDC, 4-20mA loop powered.

Typical applications include:

- Load trending
- Process Control
- Fans and pumps

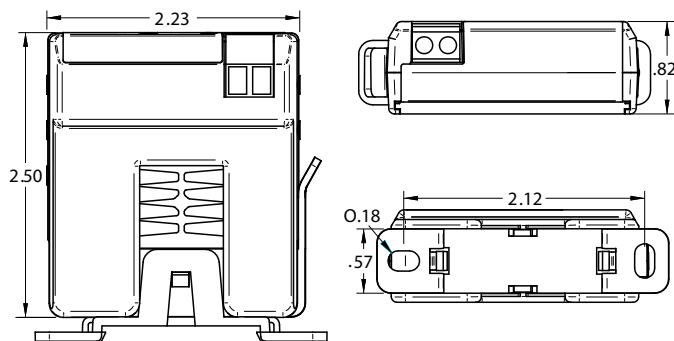
SPECIFICATIONS

| Sensor only | C-2343 | C-2344 | C-2345 |
|---------------------|---|---------------------------|---------------------------|
| Amperage Range | 30A, 60A, 120A Selectable | 30A, 60A, 120A Selectable | 30A, 60A, 120A Selectable |
| Sensor Output Type | 0 - 5 VDC | 0 - 10 VDC | 4 - 20mA |
| Sensor Power | Self-powered | Self-powered | Loop-powered, 30V DC max |
| Temperature Rating | -15-60 ° C | | |
| Insulation Class | 600V RMS. For use on insulated conductors only! Use minimum 75 ° C insulated conductor | | |
| Frequency Range | 50/60Hz | | |
| Dimensions (LxWxH) | 2.75" x 2.57" x 0.82" (1.49" H with optional command relay) | | |
| Sensor Aperture | 0.75" | | |

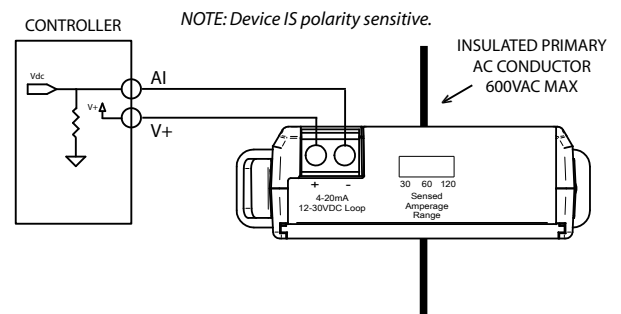
| Command Relay | Output rating | Input power |
|---------------|-------------------|---------------|
| CR3-24 | N.O. 10(5)@250VAC | 24VAC/DC 10mA |
| CR4-24 | N.C. 10(5)@250VAC | 24VAC/DC 10mA |
| CR3-12 | N.O. 10(5)@250VAC | 12VDC/DC 25mA |

Other coil voltages available, Consult factory

DIMENSIONS for C-234x Analog



WIRING for C-234x Analog



Add a command relay combo for installation savings!

Snap on a command relay and get load control and status in a single compact device. Plus, it's easy to service should the relay need replacement! No more costly unsightly external relays.

