

## C-Series High Current Transducers

Universal output 0-5/10VDC, 4-20mA (loop and 3-wire)  
Space saving, easy to install rogowski coil  
Five models up to 6000A, four selectable sub-ranges  
Four sizes from 9" to 36" circumference



### DESCRIPTION

Rogowski analog transducers measure high amperage AC current and provide a proportional output for load trending and control. Rogowski coil covers wide amperages without saturation effects common to iron core sensors. Selectable ranges ensure excellent resolution.

### APPLICATIONS

- Load trending
- Building mains
- Motor control
- Process control
- Chiller monitoring
- Great for data center current transducer sensing



Flexible split-core rogowski CTs are easy to install and don't saturate like iron core



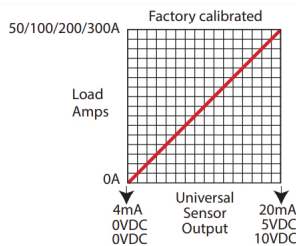
4 ranges with universal outputs



Measure up to 6000A with ease



RoFlex universal output current transducer



The RoFlex™ provides a universal output signal proportional to monitored current



Buy American Act Certified

## FEATURES

- Split-core rogowski coil is lightweight and space saving
- Universal output reduces inventory
- No call backs due to mis-sizing
- Compatible with any control application
- Industry leading 7 year limited warranty

## ORDERING

**C-3106** = Small 9"; 50/100/200/300A (Selectable)

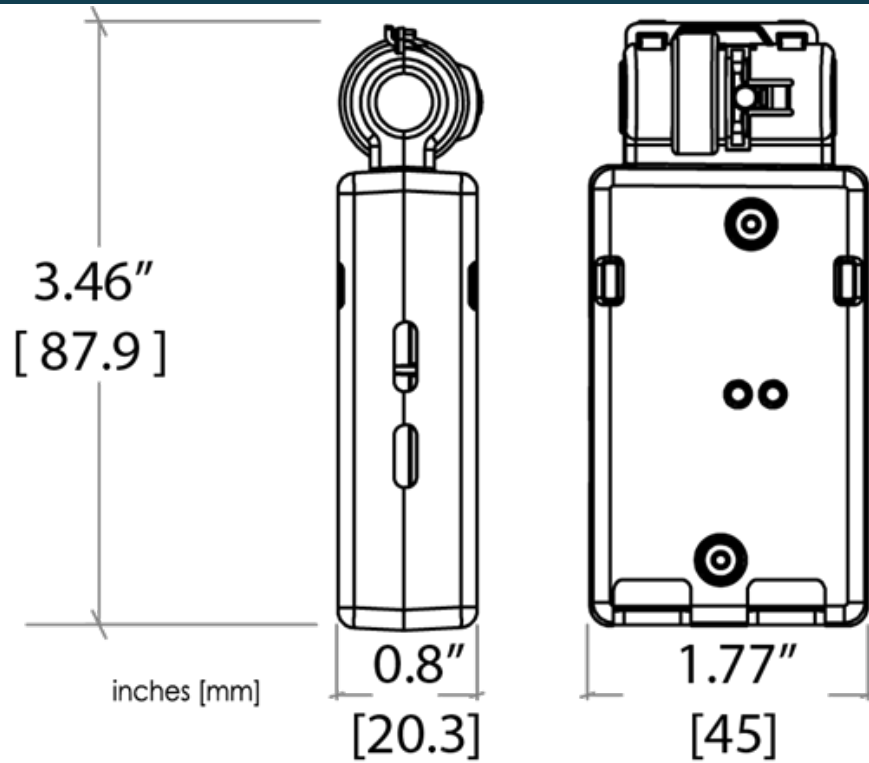
**C-3216** = Medium 15"; 200/400/600A/800A

**C-3326** = Large 24"; 600/800/1000/1200A

**C-3436** = Extra Large 36"; 800/1200/1800/2400A

**C-3446** = Extra Large 36"; 1800/2400/4000/6000A

DIMENSIONS



**Warning:** The datasheet is designed for reference only. Refer to installation instructions that accompany the product and heed all safety instructions. Product improvement is a continuing process at Senva. Changes may occur to products without prior notice.

**SPECIFICATIONS**

Amperage Range	Varies by model 50 to 6000A
Output type	Universal (2-wire 4-20mA, 3-wire 0-5V/0-10V/4-20mA)
Accuracy	+/-2% F.S. over 10 to 100% range
Temperature rating	Maximum surrounding air ambient, 60 ° C
Insulation class	600V RMS. For use on insulated conductors only Use minimum 75 ° C insulated conductors Must be installed at least 1/2" away from any uninsulated conductor This product provides basic insulation only
Sensor Power	12 to 30VDC/24VAC
Frequency Range	50/60Hz
Dimensions ( LxWxH)	3.5" x 1.6" x 0.8"
Terminal Tightening Torque	0.5N*m
Wire	21-24 AWG Copper
Compliance	cUL, UL, CE, RoHS

For use in Pollution Degree 2 Environment.

*\* Product improvement is a continual process at Senva and product features and specification may change without prior notice. Refer to instructions that accompany the product for installation and wiring.*