

## P4 Precision Series

# P4 Precision Dry Pressure

Precision calibrated 0.25% and 0.50% accuracy models  
 Standard industry leading 7-point NIST certification  
 LCD display option  
 LED status indication and Zero push button and contact closure  
**PATENTED DESIGN**

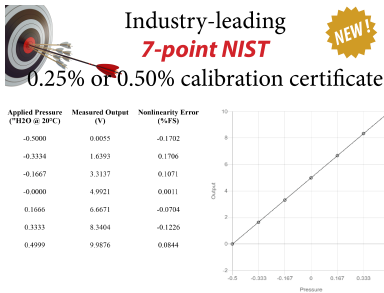


### DESCRIPTION

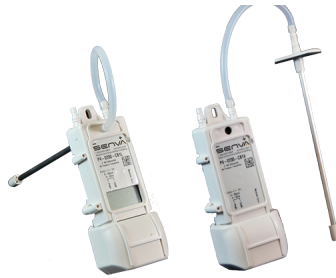
Now with NIST calibrated 0.25% and 0.50% accuracy options, the P4 dry media pressure transmitter features fixed ranges optimized for building (zone) pressure, filter measurement, and static duct applications. Innovative static probe integrates with unit or can be mounted remotely for static pressure. **PATENTED DESIGN CALL FOR SPECIAL PRICING**

### APPLICATIONS

- Building (zone) pressure
- Filter condition measurement
- Duct/static
- OEM HVAC
- Data Centers



Precision NIST calibration



Innovative Probe transforms for duct or remote applications



Conduit Ready



Innovative Probe



High Density DIN mounting saves valuable panel space



Made in USA - 7 year warranty

**FEATURES**

- 7-point NIST certificate; more accuracy points than any competitor
- 0.25% and 0.50% accuracy versions available from 0.25" to 25" W.C.
- Precision calibrated, temperature compensated, non-position-sensitive pressure element
- Versatile duct, filter, or remote mounting; address all with a single unit with RP-6 probe addition
- DIN mount - forward for LCD panel or sideways for panel space savings
- 0-5VDC/10VDC or 4-20 mA loop & 3 wire powered versions
- Conduit cover for 3/8" flex connectors
- LED facilitates locating sensor in ductwork

**ORDERING**

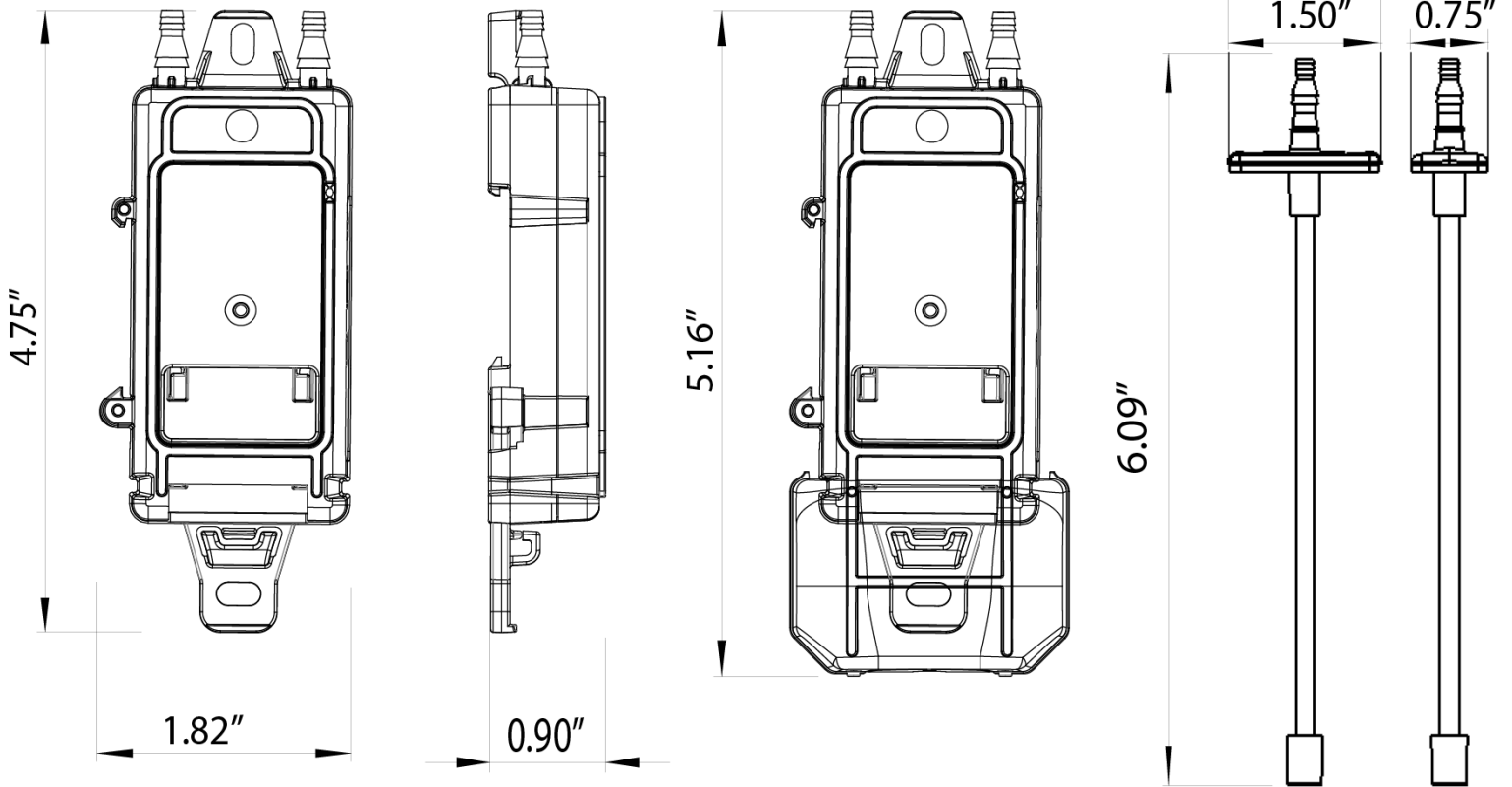
<p><b>P4</b> - <input type="checkbox"/> - <input type="checkbox"/> <input type="checkbox"/> <input type="checkbox"/> <input type="checkbox"/> <input type="checkbox"/></p> <p><b>Fixed Range*</b></p> <p>0005 = 0-0.05 "w.c.    0025Pa = 0-25 Pa          0010 = 0-0.10 "w.c.    0050Pa = 0-50 Pa          0025 = 0-0.25 "w.c.    0100Pa = 0-100 Pa          0050 = 0-0.50 "w.c.    0300Pa = 0-300 Pa          0100 = 0-1.0 "w.c.    0500Pa = 0-500 Pa          0150 = 0-1.5 "w.c.    1000Pa = 0-1000 Pa          0250 = 0-2.5 "w.c.    1600Pa = 0-1600 Pa          0300 = 0-3.0 "w.c.    2500Pa = 0-2500 Pa          0500 = 0-5.0 "w.c.    3000Pa = 0-3000 Pa          0750 = 0-7.5 "w.c.    5000Pa = 0-5000 Pa          1000 = 0-10 "w.c.          1500 = 0-15 "w.c.          2500 = 0-25 "w.c.          5000 = 0-50 "w.c.</p>	<p><b>Output</b></p> <p>A = 0-5VDC, 3-Wire          B = 0-10VDC, 3-Wire          C = 4-20mA, 2-wire          D = 4-20mA, 3-wire</p>	<p><b>Uni or Bi</b></p> <p>U = Uni-directional          B = Bi-directional</p>	<p><b>Accuracy**</b></p> <p>1 = 1.00% of range          2 = 0.25% of range NIST          5 = 0.50% of range NIST          N = 1.00% of range NIST</p>	<p><b>Display</b></p> <p>L = LCD          X = No Display</p>	<p><b>Duct Probe</b></p> <p>P = Duct Probe          X = No Probe</p>
--	---	--	---	--	--

*Example part number P4-0500-CU2LP is 4-20mA (2-wire), 0.25% accuracy, uni-directional 0-5" WC sensor with LCD display and Duct Probe.*

*\*Other Fixed Ranges Available Upon Request (mmw.c, etc), Please Consult Factory*

*\*\*0.25% accuracies available on 0.5"w.c. and greater, 0.5% accuracy available on 0.1"w.c. and greater (or equivalent Pa ranges)*

DIMENSIONS



**Warning:** The datasheet is designed for reference only. Refer to installation instructions that accompany the product and heed all safety instructions. Product improvement is a continuing process at Senva. Changes may occur to products without prior notice.

SPECIFICATIONS			
Power Supply		12-30VDC/24VAC(1), 30mA max	
Output type	Outputs Available	4-20mA loop powered, 4-20 mA 3-wire, 0-5VDC, 0-10VDC	
Fixed Ranges	Multiple Fixed Ranges (Inches of w.c. and Pascals)	0.05" w.c. up to 50" w.c. models 25 Pa up to 5000 Pa models	
Operating Temperature	Operating range	-4 to 140F (-20 to 60°C)	
	Compensated range	-4 to 140F (-20 to 60°C)	
Media compatibility		Dry, oil-free air, N2	
Sensor Type		MEMS silicon piezoresistive; precision calibrated	
Sensor Performance	Accuracy 1.00%	±1.00% of range	
	Accuracy 0.25%(2)	±0.25% of range; 7-point NIST calibrated	
	Accuracy 0.50%(2)	±0.50% of range; 7-point NIST calibrated	
	Zero Tolerance	Included in accuracy specification	
	Span Tolerance (3)	±1.00%	
	Zero Drift (1 year)	0.004"WC/year max. 0.4% for units >0.5" w.c.	
	Auto-zero input	Push-button and contact closure	
	Thermal Shift (Zero and Span)	0.02% FSO/°C (0.01%FSO/°F) measured from 22°C (72°F)	
	Overpressure		up to 5" models: 41.5" w.c.; 10" models: 133" w.c.;
			25" models: 332" w.c.
	Max Static Line Pressure	up to 5" models: 41.5" w.c.; 10" models: 133" w.c.; 25" models: 332" w.c.	
	Burst Pressure	up to 5" models: 83" w.c.; 10" models: 166" w.c.; 25" models: 415" w.c.	
	Position Sensitivity	Non-position sensitive	
Response Rate		8 seconds (4)	
Agency	Compliance	CE, RoHS	
Enclosure	Flammability	UL94 5VB	
	Environmental	NEMA 1	

(1) One side of transformer secondary is connected to signal common. Dedicated transformer is recommended.

(2) Accuracy includes non-linearity, hysteresis, and repeatability at 70°F.

(3) Span tolerance is ±1% ±0.005inWC for models less than 0.10inWC or equivalent pressure range.

(4) Full scale response time.

\* Product improvement is a continual process at Senva and product features and specification may change without prior notice. Refer to instructions that accompany the product for installation and wiring.