

# INSTALLATION INSTRUCTIONS

## C-2343-L, Low Range Mini Split-Core 0-5vdc Output



### DANGER

**Failure to follow these instructions will result in death or serious injury.**



Hazard of electrical shock, explosion, and arc flash

- Follow ALL requirements in NFPA 70E for safe work practices and for Personal Protective Equipment (USA) and other applicable local codes when installing this product
- Only qualified electrical personnel should install this product.
- Read, understand, and follow all instructions thoroughly
- Install only on insulated conductors
- Lock out and tag out all power sources prior to installation. Use properly rated voltage sensing instrument to determine no voltage is present



### WARNING

**Failure to follow these instructions could result in death or serious injury.**



Automated equipment may start without warning

- Equipment monitored/operated by this device may start without warning. Keep clear of apparatus at all times

### IMPORTANT WARNINGS

- Only qualified trade installers should install this product
- This product is not intended for life-safety applications
- Do not install in hazardous or classified locations
- The installer is responsible for all applicable codes
- This product must be installed in a suitable electrical enclosure

## INSTALLATION



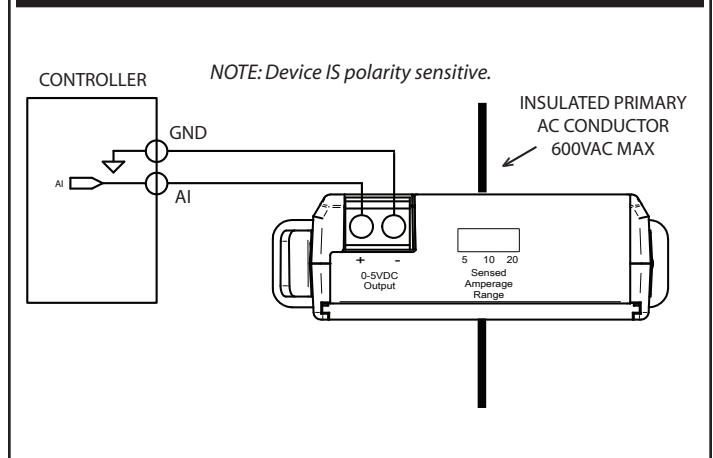
Disconnect, lock out and tag out all power supplies during installation

1. Determine mounting location for the sensor near the conductor to be monitored. The sensor should be located AT LEAST 1/2" from any uninsulated conductor.
2. Sensor features a flexible iris which allows the sensor to hang on the conductor if local codes permit. A bracket is included for screw mounting or attaching to DIN rail. For screw mounting, drill two 3/32" pilot holes using the bracket as a template; ensure no drill shavings are present in enclosure. Attach bracket with screws provided.
3. Clamp sensor around INSULATED CONDUCTOR ONLY, 600VAC MAX to be monitored.
4. Snap the sensor into the mounting bracket.
5. Wire the output of the sensor to a control panel analog input. Sensor is self-powered. Tighten terminals to 3.5 in-lb.

## SETUP

1. Sensor is factory calibrated to three ranges. No field calibration is required.
2. Move selector switch to desired factory calibrated range setting. Selected range should be greater than the maximum motor current.

## WIRING EXAMPLE

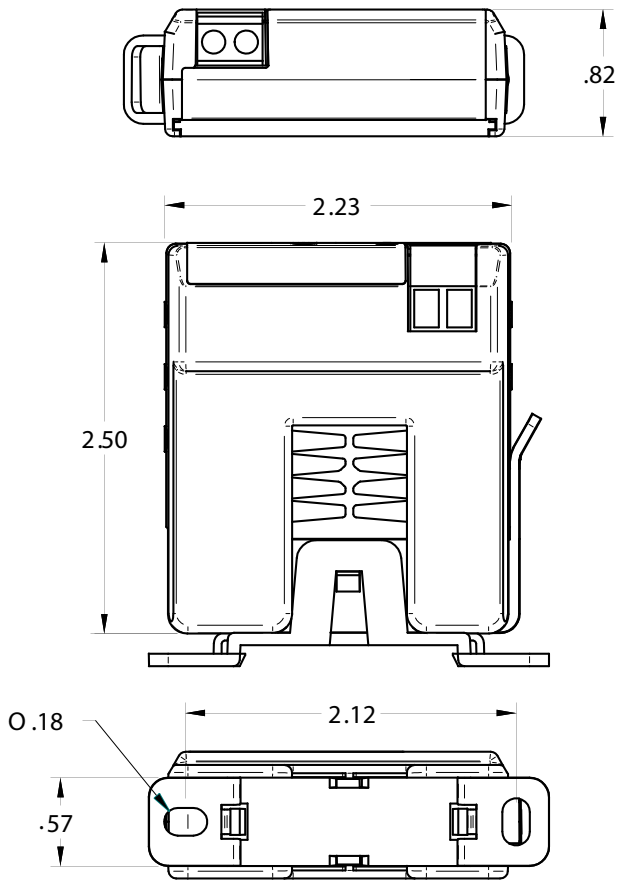


### PRODUCT APPLICATION LIMITATION:

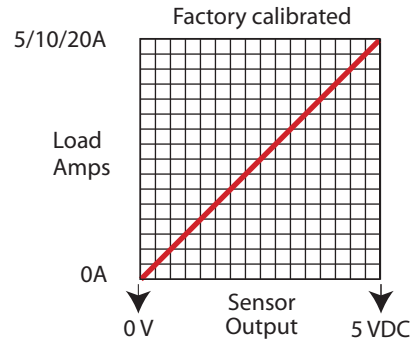
Senva products are not designed for life or safety applications. Senva products are not intended for use in critical applications such as nuclear facilities, human implantable device or life support. Senva is not liable, in whole or in part, for any claims or damages arising from such uses.

152-0262-0A

## DIMENSIONS



## OPERATION



The C-2343-L provides a 0-5vdc output signal proportional to monitored current. A switch allows field selection of 5, 10, or 20 amps full-scale.

### Typical load status applications include:

- Load trending
- Monitoring process motors and pumps
- Heater current monitoring

## Troubleshooting

Symptom	Causes	Remedy
Sensor output is over 5 volts	Amperage is above selected maximum range	See Tech Tip for monitoring loads greater than current sensor maximum rating
No output or wrong output voltage	Wiring error	Check polarity Check ground connection
	Incorrect scaling	Verify controller scaling

Maximum surrounding air ambient, 60 ° C. For use in Pollution Degree 2 Environment.

Part Number	C-2343-L
Amperage Range	Switch selectable 5/10/20 amps (100A Max.)
Output Type	Self-Powered Voltage output 0-5VDC
Accuracy	+/-2% F.S. over 10 to 100% range
Temperature Rating	-15~60 ° C
Insulation Class	600V RMS. For use on insulated conductors only! Use minimum 75 ° C insulated conductor
Sensor Power	Induced
Frequency Range	50/60Hz
Dimensions ( LxWxH)	2.94" x 2.23" x 0.82" (1.4" H with optional relay module)
Sensor Aperture	0.75"