

ECMSet™ ECM Current Switch



Adjustable minimum turn-on
Prevents false trip due to ECM stand-by current
Split-core operation to 200A
N.O. 30VAC/DC output



Low adjustable turn-on prevents false trips!

Patent Pending



DESCRIPTION

ECMSet™ is designed for no/go run detection on electrically commutated motors (ECMs). ECMs draw a small amount of AC standby current to power their inverter, up to 1A, even when the motor isn't running. The ECMSet features a high resolution adjustable turn-on setpoint to ignore standby current, preventing false ON status indications.

APPLICATIONS

- No/go run detection for EC motors
- On set-point prevents false trips due to EC inverter stand-by current

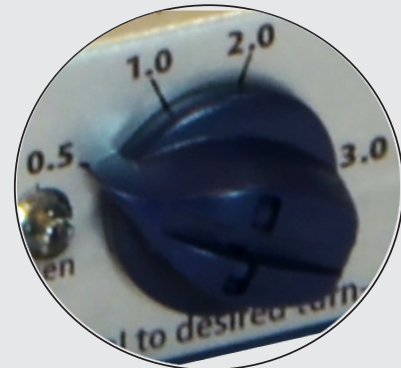
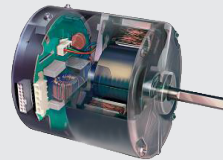
FEATURES

Reliable operation on ECM motors

- Set trip point with easily scaled dial to that sensor only turns on when motor is actually running
- Super low turn-on adjustment scale

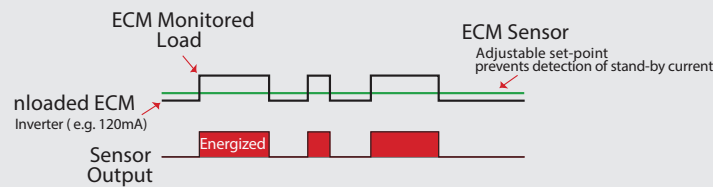
Maintenance-free—no call backs

- Industry leading 7 year warranty



SET-POINT OPERATION

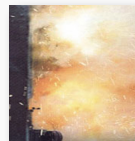
The new ECM sensor Senva has an adjustable "ON" setpoint easily adjusted to ignore any ECM stand-by current, eliminating call backs due to false ON status indications.



The Senva ECMSET output changes state whenever current above the minimum turn-on is present. This provides "go/no" status on ECMs without false trips due to the quiescent inverter current.



No hazardous guesswork. Multi-turn adjustments are a thing of the past.



Reduce the risk of arc flash; sensor can be set without calibration in live enclosure



SPLIT CORE C-2320-L ECM

OPTIONAL RELAY for additional labor savings



L: 2.5" H: 0.57" W: 2.23"
A: 0.75" x 0.75"



L: .84" H: .72" W: 2.06"
A: 0.75" x 0.75"

- Mount sensor without removing conductor for installation savings
- Clamp on conductor with iris, or use detachable base to screw or DIN mount
- Larger 0.75" aperture accommodates oversized conductors
- Add to 2320 series to get start/stop/status in a single device
- Reduces the number of installed components... saves time and space
- Removable relay facilitates service

ORDERING INFORMATION

SPLIT CORE	Min ON Adjustment	Max A	N.O. Output*	Trip LED	Power LED
C-2320-L ECM	0.25A	200A	1.0A@30VAC/DC	•	•

COMMAND RELAY

Contact rating

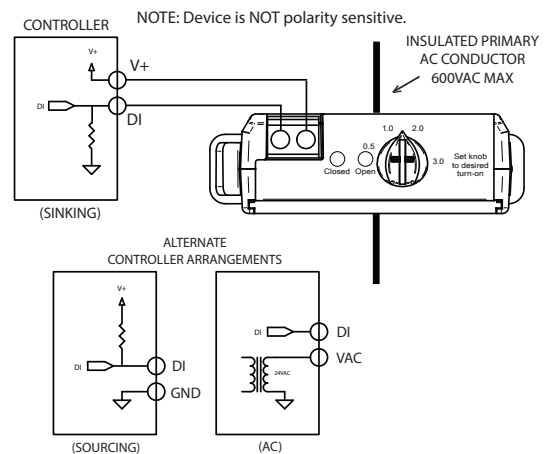
Coil

CR3-24	N.O. 10A @ 125VAC	24VAC/DC 15mA nom.
CR4-24	N.C. 10A @ 125VAC	24VAC/DC 15mA nom.
CR3-12	N.O. 10A @ 125VAC	9-12VDC 30mA nom.
CR4-12	N.C. 10A @ 125VAC	9-12VDC 30mA nom.

SPECIFICATIONS

Standard Output Rating	1.0A@30VAC/DC
Output Type	NO, solid-state FET
Temperature Rating	-15-60 ° C
Insulation Class	600V RMS. For use on insulated conductors only! Use minimum 75 ° C insulated conductor
Sensor Power	Induced
Frequency Range	50/60Hz

TYPICAL WIRING



Warning: Refer to installation instructions that accompany product and heed all safety instructions. Do not rely on current status LED to indicate presence

