

HO Series Outdoor Humidity/Temperature

- 2% or 3% accuracy (NIST certification options)
- 0-5V/10V and 4-20mA RH/Temp (thermistors optional)
- LCD display with field calibration menu
- Field replaceable element



DESCRIPTION

The HO Series is designed to be mounted on the building exterior to provide outside air RH measurement. The HO Series combines excellent stability with reliable operation in 2% or 3% RH accuracy options. Optional temperature transmitters, RTDs and thermistors add further flexibility when ordering. The standard LCD, gasketed lid and field replaceable elements make the initial installation and future service a breeze.

APPLICATIONS

- Outdoor humidity and temperature measurement for building control

FEATURES

Versatile

- 2% or 3% Rh versions with field replaceable sensor
- Switch selectable 5V/10V and 4-20mA RH/T transmitter outputs
- Thermistor/RTD output for temperature optional

Easy to maintain

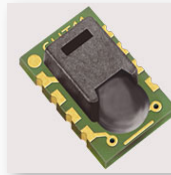
- Field calibration. LCD and push-button menu allows easy adjustment of calibrated RH value as needed to maintain certification
- Replace a sensor without disturbing conduit

Superior RH sensing

- On-board temperature compensation for RH. Eliminates temperature coefficient errors and achieves an excellent measurement accuracy as well as high repeatability and offset stability
- State of the art testing facilities. 8-point calibration certificate available (NIST traceability—consult factory)

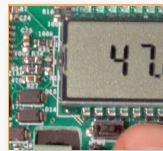
Quality

- Industry leading 7-year warranty/ 2-year replaceable element warranty



Field replaceable element

- Ideal for harsh environments
- Accurate dual RH/Temp IC sensing



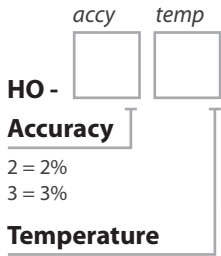
LCD with menu

- Easier commissioning
- Re-scale to field metrics if required



NIST traceable

- 8-point calibration certification options. Consult factory.

ORDERING


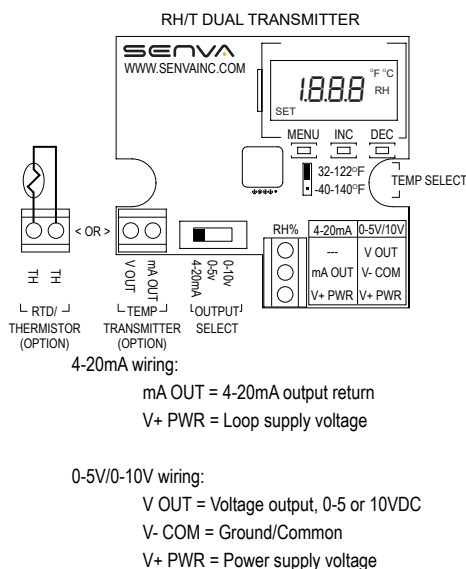
- A = None
- B = Transmitter
- C = 100Pt (385)
- D = 1000Pt (385)
- E = 10k type 2
- F = 10k type 3
- G = 10k type 3 w/11k shunt
- H = 3k
- I = 2k2
- J = 1k8
- K = 20k
- L = 100k

Replacement Sensor Elements

H50-2 = 2% accuracy
H50-3 = 3% accuracy


SPECIFICATIONS

Power Supply	3-wire voltage mode (0-5/10V)	12-30VDC/24VAC ⁽¹⁾ , 15mA max
	2-wire current mode (4-20mA)	12-30VDC, 30mA max.
Outputs	RH and Temperature (option)	3-wire 0-5/10V ⁽⁴⁾ or 2-wire 4-20mA
		RH 0-100% RH
Output scaling	Temperature (jumper)	32-122°F (0-50°C) or -40-140°F (-50-60°C)
Thermistor/RTD	Optional	See ordering table
Media filter		Sintered stainless steel
Relative Humidity	Accuracy	2% models, +/-2% over 10 to 90%RH range 3% models, +/-3% over 20 to 80%RH range
	Resolution	0.05%RH
	Hysteresis	+/-1%RH
	Non-Linearity	Factory linearized <1%RH
	Temperature coefficient	Fully compensated by on-board sensor
	Response time ⁽²⁾	30s
	Output update rate	2s
	Operating range	0 to 100%RH (non-condensing)
	Long term drift	<0.5%RH per year
	Operating conditions ⁽³⁾	-20° C to 60° C @ RH>90% -20° C to 80° C @ RH=50%
Temperature	Accuracy (-20° to 70°C range)	2% models, <+/-1° C; 0.5° C typ @ 25° C 3% models, <+/-2° C; 0.5° C typ @ 25° C
	Resolution	0.01° C
	Repeatability	+/-0.1° C
	Response time ⁽²⁾	30s
	Output update rate	2s
Enclosure	Materials	ABS/Polycarbonate
	Dimensions	4.0" h x 4.4" w x 2.1" d (+2.8" solar shield)

TYPICAL WIRING

DIMENSIONS
