

P5 Series Universal Pressure Sensor

5", 10", and 25" versions with four selectable sub-ranges
 1250, 2500, 6250 Pa versions with four selectable sub-ranges
 Optional LCD display and LED indicator
 Dual 0-5/10VDC, 4-20mA (loop and 3-wire)

DESCRIPTION

The P5 universal dry media pressure transmitter accurately measures multiple ranges optimized for building (zone) pressure, filter measurement, and static duct applications. Selectable outputs and uni/bi directional readings reduce inventory. Innovative static probe integrates with unit or can be mouted remotely for static pressure. Optional LCD for panel mount readings and set up.

APPLICATIONS

- Building (zone) pressure
- Filter condition measurement
- Duct/static



Versatile probe for duct or remote mount included. Save on probe expense.

FEATURES

Reduce inventory and ordering errors with universal unit

- Selectable 4-20 mA loop powered, 4-20 mA 3-wire, 0-5VDC, 0-10VDC for compatibility
- Zero calibration push button and remote contact input
- Designed for duct, filter, and remote probe applications in a single universal unit
- Probe is compatible with both 1/8" and 1/4" ID hose

Time & money saving installation for contractors and OEMs

- Non-position sensitive for easy placement
- Dual DIN mount: Side mount for high density OEM applications, flat panel mount for LCD viewable panel mount.
- Conduit ready for for 3/8" flex connectors
- Post mountable with mounting tab indents and wire ties

LED visual status indications of operation

- LED: Power heartbeat, momentary rapid flash = auto-zero complete, continual rapid flash = 110% over pressure
- LED facilitates locating sensor in ductwork



Conduit ready...no additional parts to buy

Integrated high density mount or flat mount saves valuable panel space.



7 year limited warranty

ORDERING



Pressure Range

- 0500 = 0-5" w.c. (w/subranges)
- 1000 = 0-10" w.c. (w/subranges)
- 2500 = 0-25" w.c. (w/subranges)
- 1250Pa = 0-1250Pa (w/subranges)
- 2500Pa = 0-2500Pa (w/subranges)
- 6250Pa = 0-6250Pa (w/subranges)

Accuracy

1 = 1% of selected range

Display

- L = LCD
- X = No Display

Duct Probe

- P = Duct Probe
- X = No Probe

Example part number P5-0500-1LP is universal pressure sensor, 0-5" full scale range (selectable sub-ranges) with LCD and Duct Probe.

Additional Remote probe

- RP-6 Remote/duct probe, 6"
- RP-6 remote probe with integrated dampener for accurate measurements.
- Accepts both 1/8" and 1/4" tubing.
- Note: One probe is standard with product

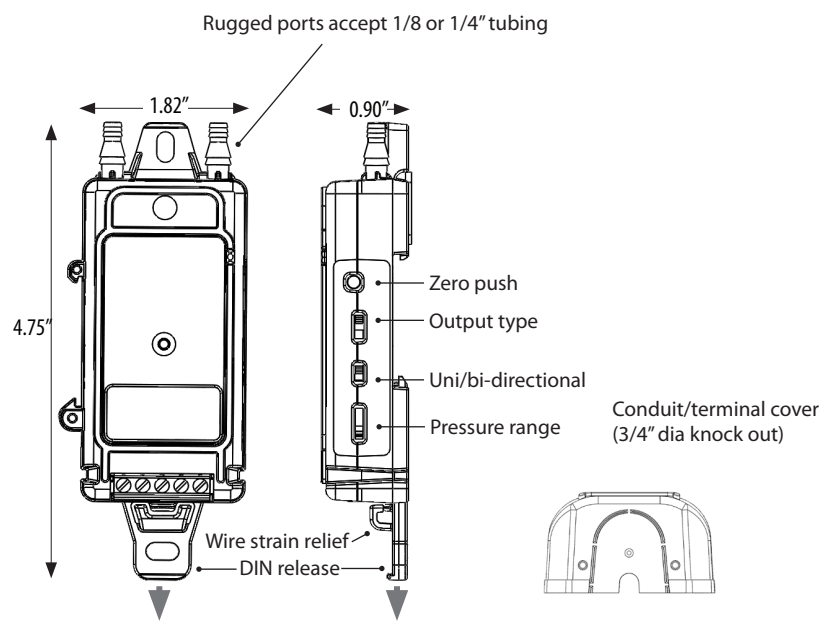


Integrated dampener for stable readings

SPECIFICATIONS

Power Supply		12-30VDC/24VAC(1), 30mA max
Output type	Selectable outputs	4-20mA loop powered, 4-20 mA 3-wire, 0-5VDC, 0-10VDC
Output scaling	P5-0500	0-5" (Selectable 0.1, 0.25, 2.5, 5.0" WC)
	P5-1000	0-10" (selectable 1.0, 2.5, 5.0, 10" WC)
	P5-2500	0-25" (selectable 5.0, 10, 15, 25" WC)
	P5-1250Pa	0-1250 Pa (selectable 25, 50, 625, 1250 Pa)
	P5-2500Pa	0-2500 Pa (selectable 250, 625, 1250, 2500 Pa)
Operating Temperature	Operating range	-4 to 185F (-20 to 85C)
	Compensated range	32 to 122F (0 to 50C)
Media compatibility		Dry, oil-free air, N2
Sensor Type		MEMS silicon piezoresistive; precision calibrated
Sensor Performance	Accuracy	+/- 1.0% of selected range (combined linearity and hysteresis)
		Non-position sensitive
Zero Drift (1 year)		1% max
	Auto-zero input	Push-button and contact closure

(1) One side of transformer secondary is connected to signal common. Dedicated transformer is recommended.



TYPICAL WIRING

